

Illustration - Type - E

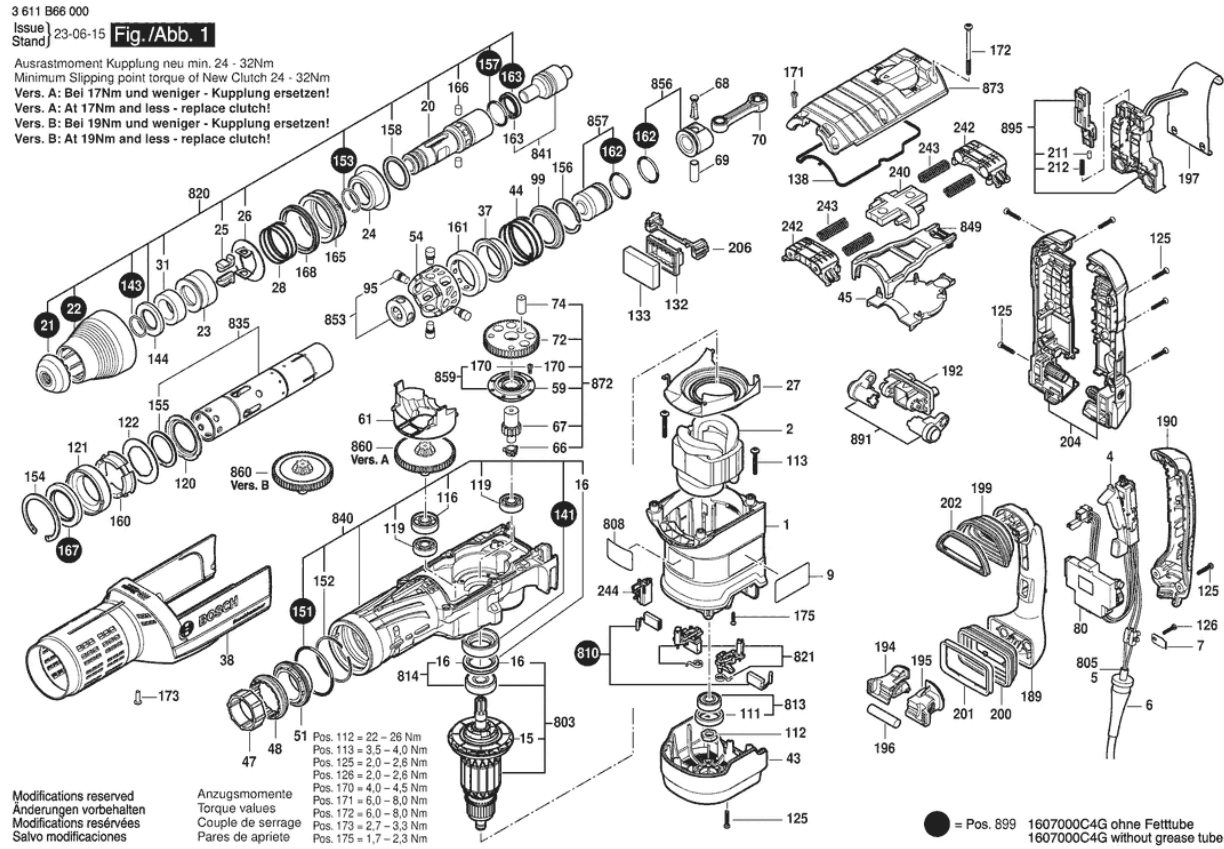
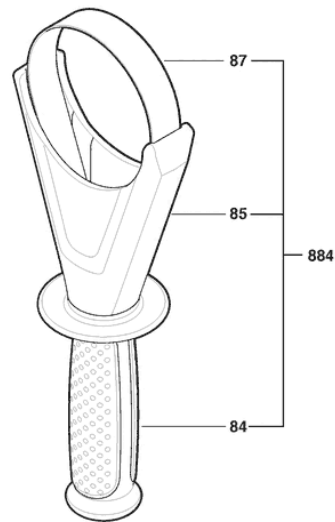


Illustration - Type - E

3 611 B66 000
Issue | 15-09-25
Stand | **Fig./Abb. 2**



Modifications reserved
Änderungen vorbehalten
Modifications réservées
Salvo modificaciones

Spare parts list

Item	Part Number	Description	Illustration
1	1 615 108 172	Motor Housing	1
2	1 604 220 23P	Field 230V	1
4	1 617 200 130	Switch	1
6	1 610 703 053	Grommet Ø9,7-Ø12X89 MM	1
7	1 601 302 018	Fastening Clamp	1
9	1 601 11A 48A	Manufacturer's nameplate	1
15	1 616 610 114	Fan	1
16	1 600 A00 15D	Clamp ring	1
20	1 618 597 105	Toolholder	1
21	1 600 A00 1XC	Protective Cap	1
22	1 610 591 054	Protection Sleeve	1
23	1 610 520 007	Stop Sleeve	1
24	1 610 500 026	Headed Bush	1
25	1 612 300 025	Stopping Device	1
26	1 610 290 027	Indexing Disk	1
27	1 600 591 056	Air-Deflector Ring	1
28	1 614 621 017	Compression Spring	1
31	1 610 290 123	Damping Ring	1
37	1 610 322 019	Control Bushing	1
38	1 615 190 186	Covering hood	1
43	1 615 500 447	Brush-Cover	1
44	1 614 621 016	Compression Spring	1
45	1 610 591 053	Holding-Down-Appliance	1
47	1 610 300 082	Gear Sleeve	1
48	1 619 990 179	Clutch Sleeve	1
51	1 616 333 053	Crown Gear	1
54	1 600 A00 218	Spacer Tube	1
59	1 615 805 079	Bearing Pedestal	1
61	1 600 A00 15E	grease distributor	1
66	1 600 210 246	Rubber Ring	1
67	1 600 A00 0XS	Eccentric Shaft	1
68	1 600 A00 15F	Pickup Clip	1
69	1 613 100 040	Piston Pin	1
70	1 600 A00 1Y6	Connecting Rod	1
72	1 616 317 622	Eccentric Cog Wheel	1

Spare parts list

Item	Part Number	Description	Illustration
74	1 600 A00 0XT	Eccentric Bolt	1
80	1 607 233 461	Speed governor	1
95	1 613 120 025	Driving Pin	1
99	1 600 A00 5BD	Supporting Disc	1
111	1 615 801 027	Bushing	1
112	1 613 300 009	Hex Nut	1
113	1 603 435 07A	Torx Oval-Head Screw	1
116	1 600 905 035	groove ball bearing 12X37X12	1
119	1 600 900 041	groove ball bearing	1
120	1 610 190 078	Spacer bushing	1
121	1 615 805 080	Plain bearing	1
122	1 610 290 122	Spacer Ring	1
125	1 613 435 040	Torx Oval-Head Screw	1
126	2 603 490 023	Torx Oval-Head Screw 4X20	1
132	1 605 500 44M	Cover	1
133	1 610 205 016	Felt	1
138	1 611 015 065	Sealing Frame	1
141	1 610 290 119	Shaft Seal	1
143	1 614 601 071	Retaining ring	1
144	1 610 101 023	Supporting Disc	1
151	1 610 210 236	O-Ring	1
152	1 614 601 022	Retaining ring	1
153	2 916 540 018	Retaining ring DIN 7993-A32	1
154	2 916 660 040	Spring retaining ring DIN 472-68X2,5MM	1
155	1 614 601 080	Spring retaining ring	1
156	1 600 150 01V	Spring retaining ring	1
157	1 610 210 238	O-Ring	1
158	1 610 210 239	Rubber Ring	1
160	1 610 210 240	Damping Ring	1
161	1 610 210 241	Damping Ring	1
162	1 610 210 237	O-Ring	1
163	1 610 210 242	Seal Ring	1
165	1 600 A00 0XU	Seal Fastener	1
166	1 613 200 022	Cylindrical Roller	1

Spare parts list

Item	Part Number	Description	Illustration
167	1 610 290 124	Rotary shaft lip seal	1
168	1 600 A00 1XD	Seal Ring	1
170	1 600 A00 15H	Torx socket button screw	1
171	1 613 414 026	Torx socket button screw	1
172	1 613 435 041	Torx Oval-Head Screw	1
173	1 613 490 024	Torx Oval-Head Screw M5X20	1
175	1 603 435 07D	Torx Oval-Head Screw	1
189	1 615 133 038	Handle	1
190	1 615 500 438	Handle Cover	1
192	1 614 611 028	Rocker Foot	1
194	1 600 A00 1XE	Screw Plate	1
195	1 600 A00 1XF	Screw Plate	1
196	1 600 A00 2PC	Damping rubber	1
197	1 616 232 000	Leaf Spring	1
199	1 610 284 012	Bellows	1
200	1 610 284 013	Bellows	1
201	1 610 209 015	Clamping element	1
202	1 610 209 016	Clamping element	1
204	1 615 102 164	Rear Housing Section	1
206	1 612 386 007	Retaining Part	1
211	1 600 A00 8AB	Magnet	1
212	1 614 621 012	Compression Spring	1
240	1 600 A00 0XV	Counterweight	1
242	1 615 190 187	Guide Piece	1
243	1 614 621 018	Compression Spring	1
244	1 600 A00 13J	Plug Housing	1
691	1 615 438 705	Carrying Case	1
803	1 607 000 C3Y	Armature assembly 230V	1
805	1 617 000 723	Power supply cord	1
808	1 601 11A 3H5	Nameplate	1
810	1 607 000 C3Z	Carbon-Brush Set	1
813	1 607 000 C40	groove ball bearing	1
814	1 607 000 C41	groove ball bearing	1
820	1 607 000 C42	Tool Holder Set	1
821	1 607 000 C5H	Brush Holder	1

Spare parts list

Item	Part Number	Description	Illustration
835	1 607 000 C43	Hammer Pipe	1
840	1 607 000 C44	Impact Mechanism Housing	1
841	1 607 000 C45	Striker Pin	1
849	1 607 000 C46	Control Fork	1
853	1 607 000 C47	Guide Bushing	1
856	1 607 000 C48	Hammer Piston	1
857	1 607 000 C49	Striker	1
859	1 607 000 C4A	Bearing Pedestal	1
860	1 607 000 C4B	Spur Wheel Clutch	1
872	1 607 000 C4C	Eccentric	1
873	1 607 000 C4D	Housing Cover	1
891	1 612 099 005	Rocker Arm	1
895	1 607 000 C4F	Diaphragm	1
899	1 607 000 C4G	Service package	1
84	1 602 025 07H	Auxiliary Handle	2
85	1 618 040 097	Support clamp	2
87	1 611 316 038	Clamping Band	2
884	1 607 000 C4E	Auxiliary Handle	2